

C++ BASICS & DATA TYPES

5TH WEEK LECTURE

엄현상(Eom, Hyeonsang)
School of Computer Science and Engineering
Seoul National University

Outline

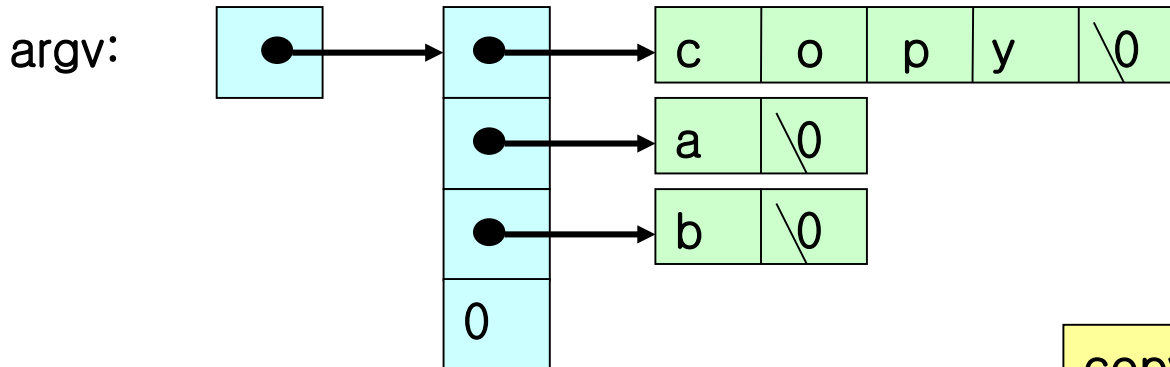
- C Programming Basics
 - Command-Line Argument Example
 - C input/output
- Q&A

Command-Line-Argument Example

```
main(int argc, char *argv[]) {
```

```
...
```

```
martini:~>copy a b
```



```
for (int i = 0; i < argc; i++)  
    printf("%s %c \n", *(argv + i), *argv[i]);  
printf("%c \n",*++argv[0]);  
printf("%c \n",*++(argv[0]));  
printf("%c \n",(*++argv)[0]);  
printf("%c \n",*++argv[0]);
```

copy c
a a
b b
o
p
a

Input/Output: <stdio.h>

- To Permit Handling Buffer Allocation, and Performing I/O in Optimal-Sized Chunks
 - Stream (File Pointer): e.g., Standard Input
 - Buffering (Standard I/O Buffer; cf, Buffer Cache)
 - Full Buffering (_IOFBF)
 - Line Buffering (_IOLBF)
 - No Buffering (_IONBF)

Standard output buffer flush;
fflush(NULL) for all output streams

```
#include <stdio.h>
...
fflush(stdout); /* return EOF for a write error, and 0 otherwise */
```

Buffer cache flush;
sync() for all modified block buffers

```
#include <unistd.h> /* optional */
...
fsync(1); /* return 0 if OK, and -1 otherwise */
```